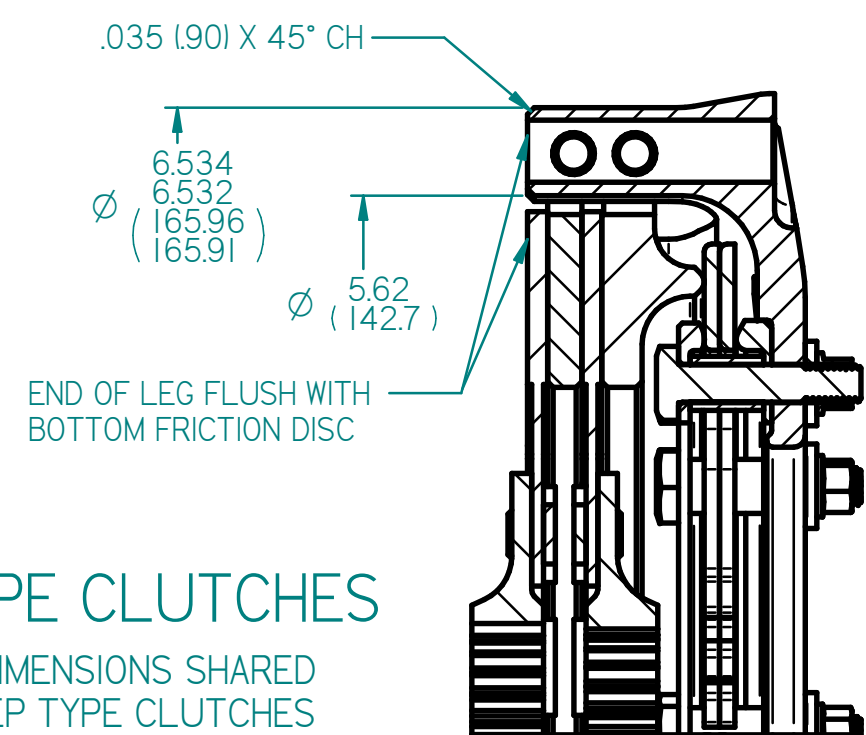
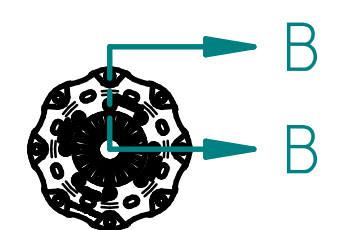
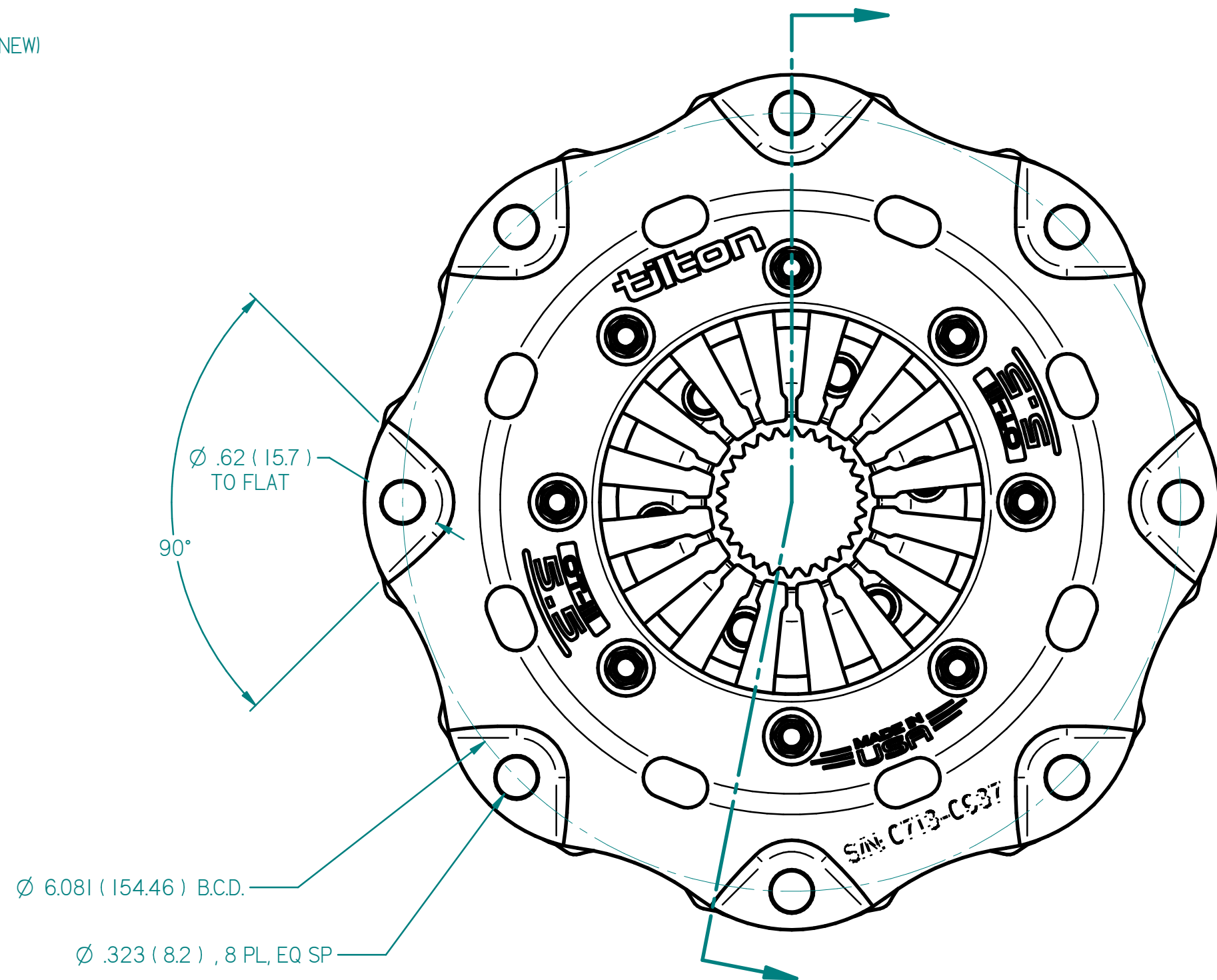
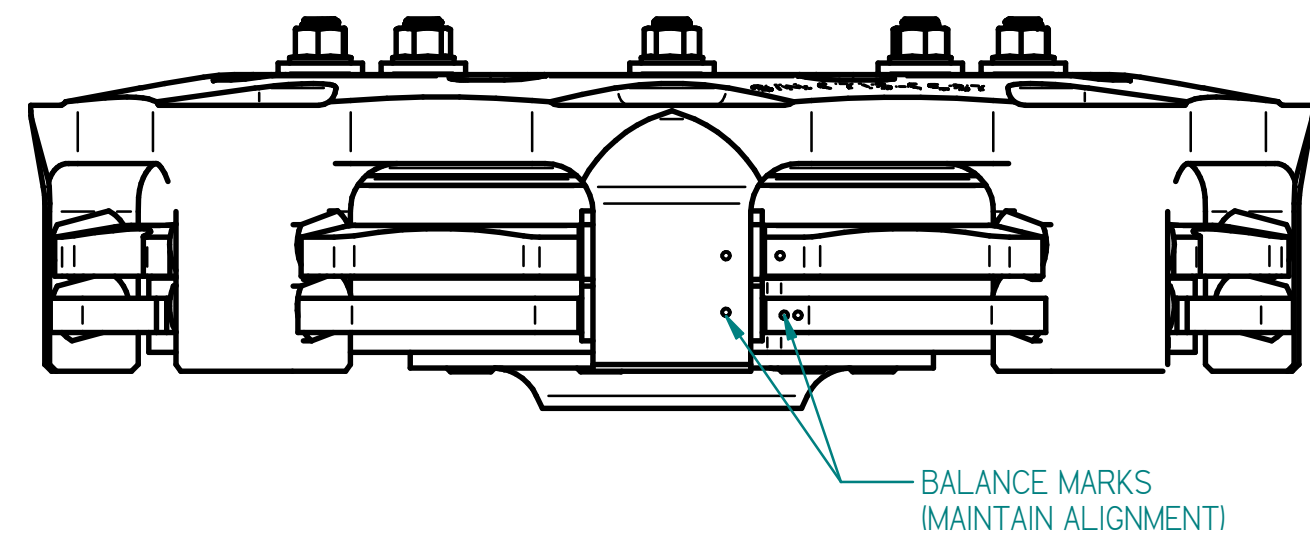


STEP TYPE CLUTCHES



POT TYPE CLUTCHES

OTHER DIMENSIONS SHARED WITH STEP TYPE CLUTCHES



NOTES:

1. PRIMARY DIMENSION IN INCHES. SECONDARY DIMENSIONS IN (mm).
2. CLUTCH WILL FUNCTION WITH ANY RADIUS FACED BEARING FROM 38mm TO 52mm DIA. 38mm BEARING HIGHLY RECOMMENDED FOR BEST FEEL AND LOWEST RELEASE LOAD.
3. ILLUSTRATED WITH DISC PACK P/N: 64140-9-AA-36. DISCS SOLD SEPARATELY.

CLUTCH P/N:	# OF DISCS	FLYWHEEL MOUNTING	SETUP HEIGHT (NEW)	SETUP HEIGHT (WORN)	BOLT GRIP	OVERALL HEIGHT
67-001HG	1	STEP	.82 (20.8)	.94 (23.9)	1.102 (27.99)	1.56 (39.6)
67-002HG	2	STEP	1.10 (27.9)	1.22 (31.0)	1.386 (35.20)	1.84 (46.7)
67-003HG	3	STEP	1.38 (35.1)	1.50 (38.1)	1.668 (43.37)	2.12 (53.8)
67-013HG	3	POT	1.38 (35.1)	1.50 (38.1)	1.568 (39.83)	2.02 (51.3)
67-004HG	4	STEP	1.61 (40.9)	1.73 (43.9)	1.952 (49.58)	2.40 (61.0)
67-014HG	4	POT	1.61 (40.9)	1.73 (43.9)	1.852 (47.04)	2.30 (58.4)