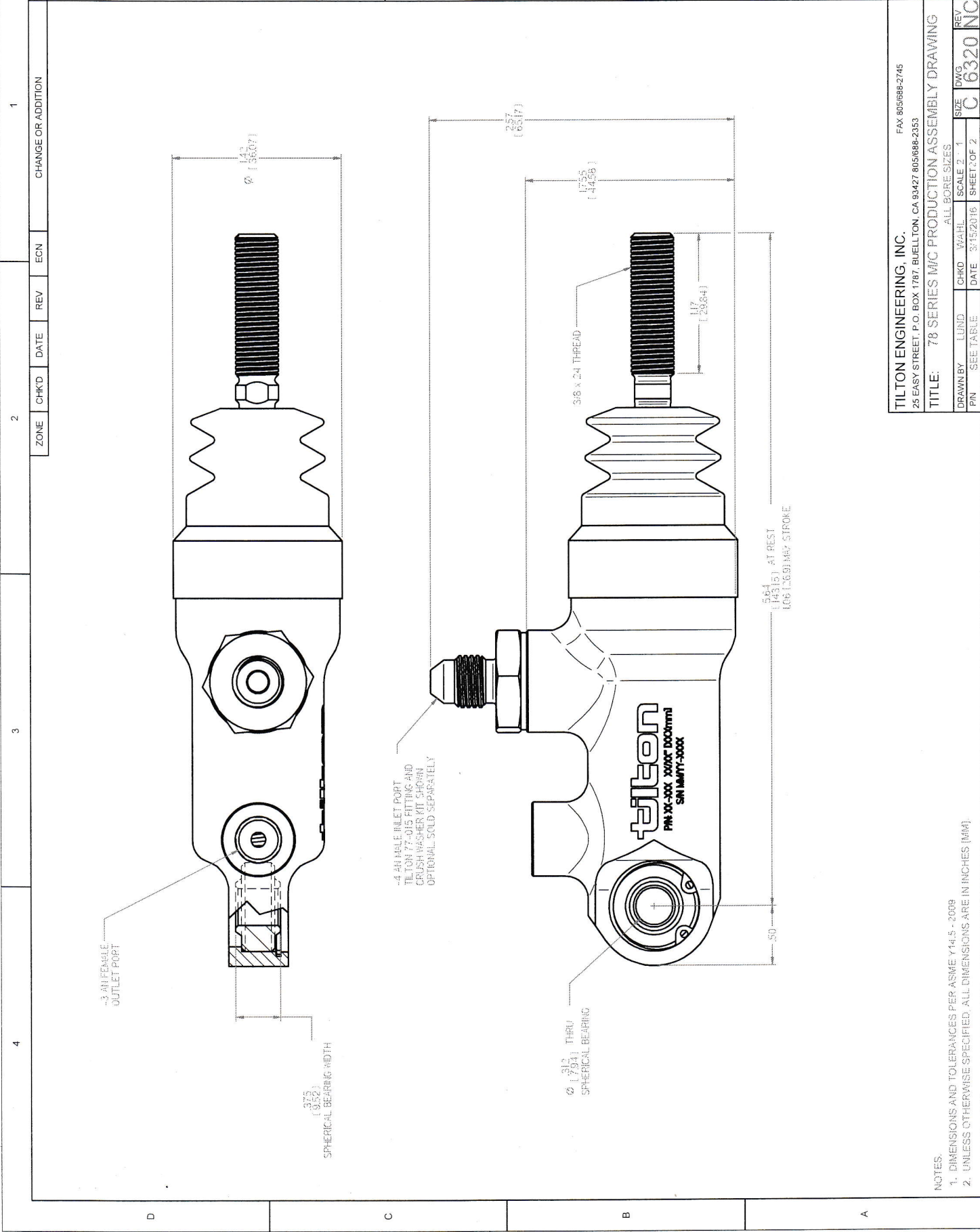


This document contains proprietary information of TILTON ENGINEERING, INC. and its receipt or possession does not convey the rights to reproduce, disclose its contents, or manufacture, use or sell anything it may describe. Reproduction, disclosure, or use without specific written authorization of TILTON ENGINEERING, INC. is strictly forbidden.



TILTON ENGINEERING, INC.
 25 EASY STREET, P.O. BOX 1787, BUELLTON, CA 93427 805/688-2353
 FAX 805/688-2745

TITLE: 78 SERIES M/C PRODUCTION ASSEMBLY DRAWING

DRAWN BY	LUND	CHKD	WAHL	SCALE	2 - 1	SIZE	DWG	REV
PN	SEE TABLE	DATE	3/15/2016	SHEET	OF 2	C	6320	NC

NOTES:
 1. DIMENSIONS AND TOLERANCES PER ASME Y14.5 - 2009
 2. UNLESS OTHERWISE SPECIFIED, ALL DIMENSIONS ARE IN INCHES (MM).